

WONDER SHOWER

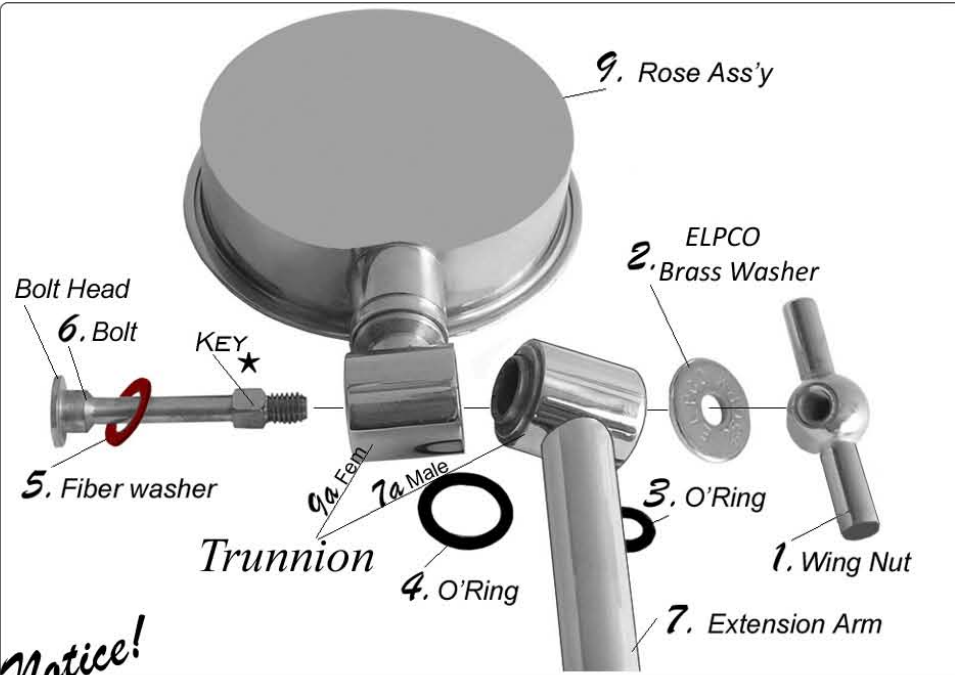
How to Install Head Assembly on Extension Arm

Notice!

Take a minute to understand that **9a** Female Trunnion (on **9**. Rose Ass'y) has a groove on each side, one groove fits over **4**. O'Ring on male trunnion (Image C) the other groove is smaller diameter for bolt head. Start by inserting bolt into the bolt head groove (smaller groove) first, then into male trunnion on O'Ring groove side (Image A) allowing Male & Female trunnions to fit together. Bolt Key* (square portion of bolt) is designed to fit thru Keyway** (square hole) in Male Trunnion **7a** (Image B). Threads will stick out approx 1/4" for installing **3**. O'Ring **2**. Washer and **1**. Wing Nut. It's a good idea to familiarize yourself with the parts, as follows: (Please call (800) 595-0385 with questions, we will gladly help!)

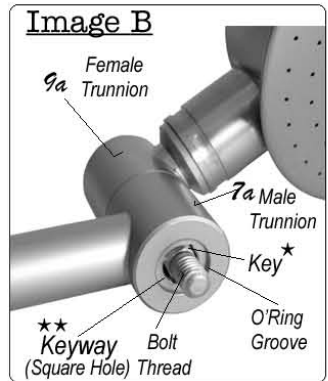
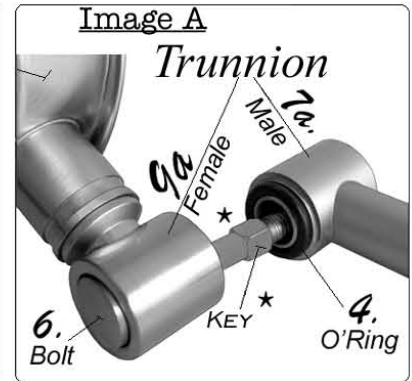
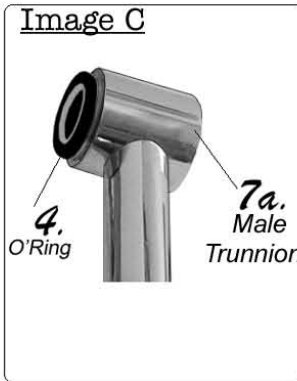
- 1. Wing Nut 2. ELPCO Washer 3. O'Ring (Thread Seal) 4. O'Ring (Joint Seal) 5. Fiber Washer 6. Bolt 7. Extension Arm Ass'y 9. Rose Assembly**

Assemble parts from Left to Right: Insert **6**. Bolt thru **9a** Female Trunnion, Place **4**. O'Ring on groove of **7a**. Male Trunnion (Image A or C). Fit Bolt Key* thru Keyway** in **7a** Male Trunnion (Image B), bolt threads will stick out about 1/4" - While holding bolt and both Trunnions together between thumb & forefinger, Roll **3**. O'Ring over threads and push into o'ring groove. Place **2**. Washer over bolt threads press & hold tight against **3**. O'Ring - Screw **1**. Wing Nut onto bolt threads against **2**. Washer. Congratulations you've done it!

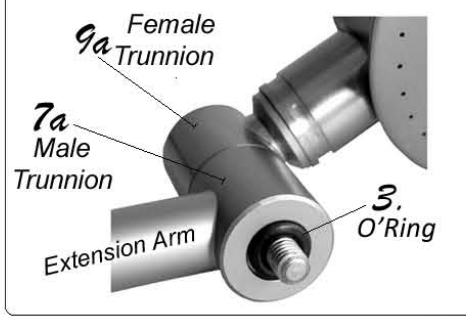


Notice!

ENCLOSED ARE HEX SWIVEL NUT SEALS TO USE WHEN REINSTALLING YOUR WONDER SHOWER. IN MOST CASES THE RUBBER WASHER WILL SEAL CONNECTION EFFECTIVELY, HOWEVER SOME SHOWER PIPES ARE MADE WITH THIN WALL BRASS TUBING WITH SHARP EDGES THAT CAN CUT THE RUBBER WASHER OR WASHER GETS PUSHED UP INTO PIPE SO IT CAN'T SEAL. IF THIS HAPPENS TRY USING ONE RED FIBER WASHER BEING CAREFUL NOT TO OVER-TIGHTEN SWIVEL NUT. IT'S TIGHT ENOUGH WHEN WONDER SHOWER STAYS IN PLACE NOT FALLING LEFT OR RIGHT. USING TEFLON TAPE CAN ONLY CAUSE A PROBLEM MAKING THE THREADS TOO BIG FOR SWIVEL NUT TO TIGHTEN SO WASHER CAN SEAT AGAINST THE PIPE. THE HEX SWIVEL NUT IS SEALED BY A WASHER THE SAME WAY A GARDEN HOSE SWIVEL NUT IS SEALED, YOU DON'T USE TEFLON TAPE FOR THAT! YOU PROBABLY WON'T USE ALL WASHERS ENCLOSED, SAVE THE EXTRA WASHERS FOR FUTURE USE. CALL US ANYTIME TO GET MORE WASHERS FOR FREE!



Push/Roll **3** O'Ring over bolt threads and into O'Ring groove.



Place **2**. ELPCO Brass Washer over bolt threads and push firmly against **3**. O'ring. Screw **1**. Wing Nut on threads

